

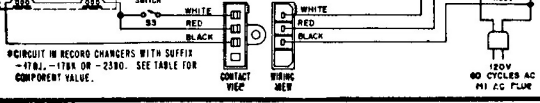
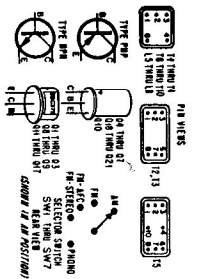
Models:

- 2ST151, 155
- 3ST351, 353, 355
- Y1921, 1925, 1931, 1935, 1938, 1951, 1958, 1959SA
- YF1361SA, YMF1361SA, YN8511

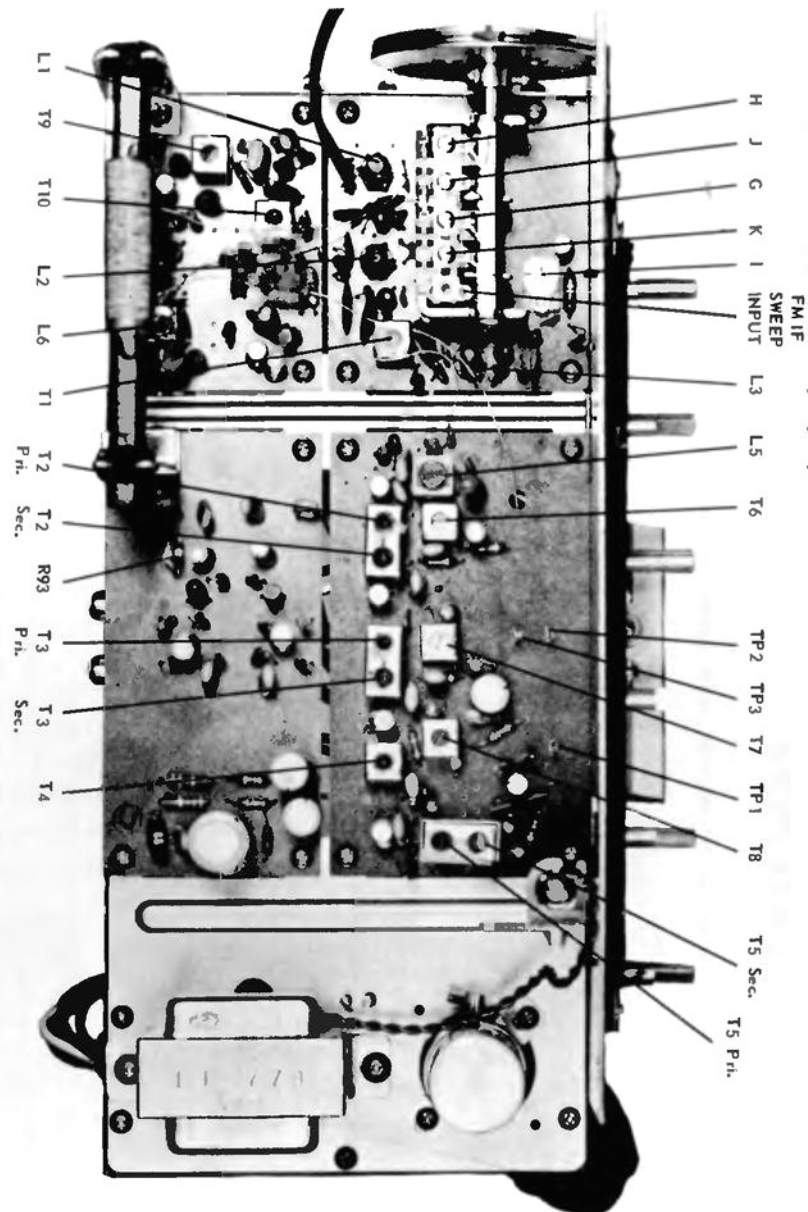
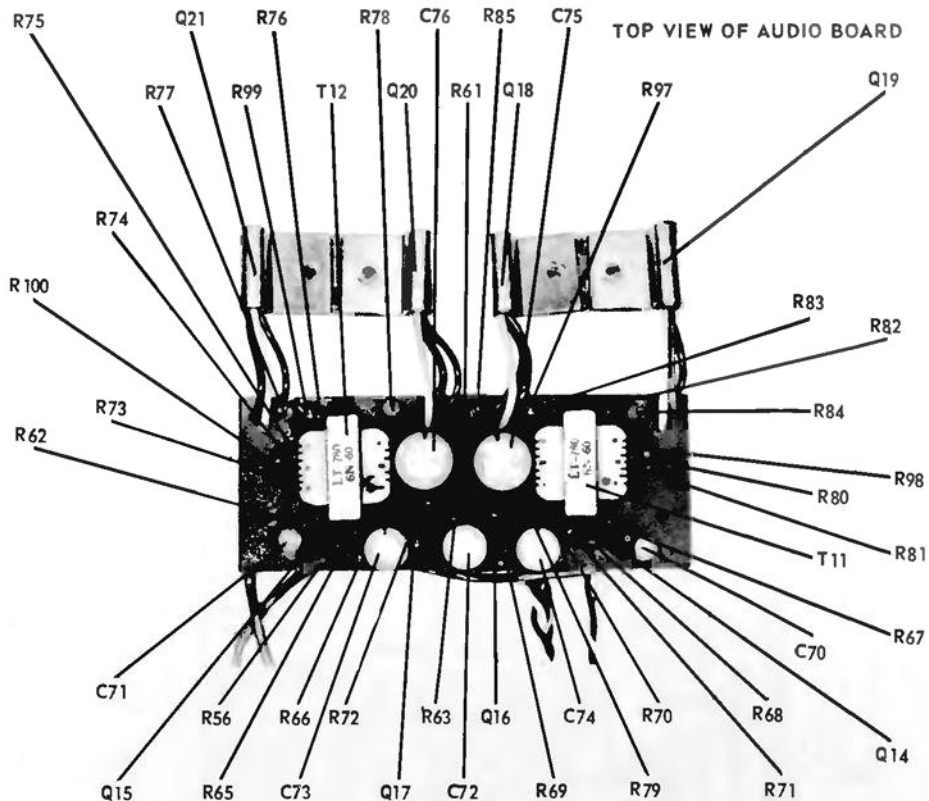
NOTES:
 VOLTAGES MEASURED WITH RTVM WITH RESPECT TO CHASSIS GROUND, NO SIGNAL, 500 KΩ LOAD UNLESS OTHERWISE SPECIFIED CAPACITOR VALUES IN MICROFARADS, ALL RESISTORS IN OHMS, 10% UNLESS DIFFERENT RESISTANCE VALUE MAY BE USED IN SOME SETS PICTORIAL WIRING DIAGRAMS OF SELECTOR SWITCH SW1 TRIM SW2 SHOWN ON SEPARATE ILLUSTRATIONS.

M7 SECRET WIRING VIEW

●CIRCUIT IN RECORD CHANGERS WITH SUFFIX -7181, -718A OR -2390. SEE TABLE FOR COMPONENT VALUE.



TOP VIEW OF AUDIO BOARD



DIAL STRINGING DIAGRAM

